



**Electrolux**  
PROFESSIONAL

## Eco Preparation 1600 mm Soaking Sink for Dishwasher with 2 Bowls

ITEM # \_\_\_\_\_

MODEL # \_\_\_\_\_

NAME # \_\_\_\_\_

SIS # \_\_\_\_\_

AIA # \_\_\_\_\_



132936 (EDBD1617R)

Sink Unit for Dishwasher with  
2 bowls right hand drainer  
500x500x250mm, 1600mm

### Short Form Specification

Item No. \_\_\_\_\_

Worktop in 304 AISI stainless steel with front edge h=40mm. Rear upstand h=100mm. N.2 bowls 400x500mm. Front and side covering panels in stainless steel. Rear panel in stainless steel. Square section legs 40x40mm in stainless steel with adjustable feet. An undercounter dishwasher can be placed under the drainer.

### Main Features

- Sturdiness, stability and reliability of table accurately tested.

### Construction

- Constructed entirely in stainless steel to offer maximum durability.
- Bottom part of drain left free to house an undercounter dishwasher.
- Delivered in knock-down package.
- Wide range of taps are available to suit every need.
- Drainage area suitable for drying operations

### Optional Accessories

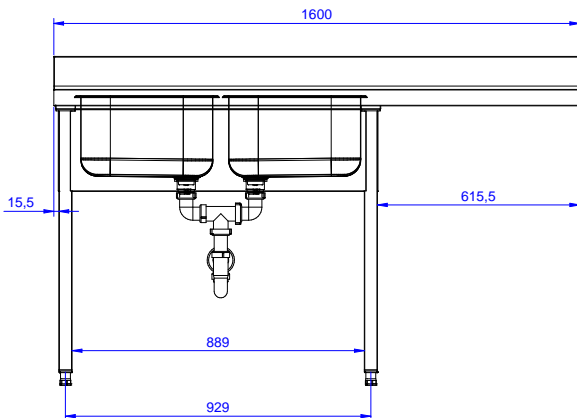
- Double plastic drain syphon PNC 850021   
1,5 "
- Lower shelf for 1000 mm tables PNC 855144   
and sinks and for 1600 mm  
undercounter dishwasher sinks
- Set of 4 wheels (2 with brake) PNC 855150   
d. 100mm for tables and sinks  
(total height on wheels= 993  
mm)
- 3-sided underframe for PNC 855151   
1000mm tables
- Single plastic drain syphon 1,5 PNC 855306   
" for work tables with bowl
- Elbow operated mixer tap with PNC 855322   
spout 3/4", single hole
- Elbow operated mixer tap with PNC 855323   
short spout 3/4", single hole
- Maxi reel retractable hose PNC 855327   
spray unit, 6m
- Foot operated mixer tap (hot PNC 855328   
and cold) with spout 3/4"

APPROVAL: \_\_\_\_\_

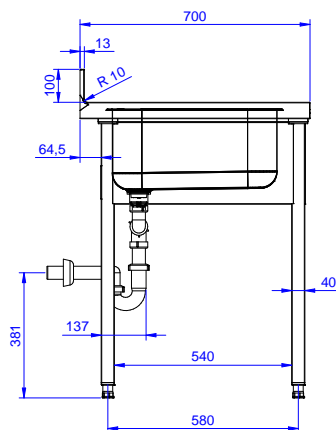


Experience the Excellence  
[www.electroluxprofessional.com](http://www.electroluxprofessional.com)

Front

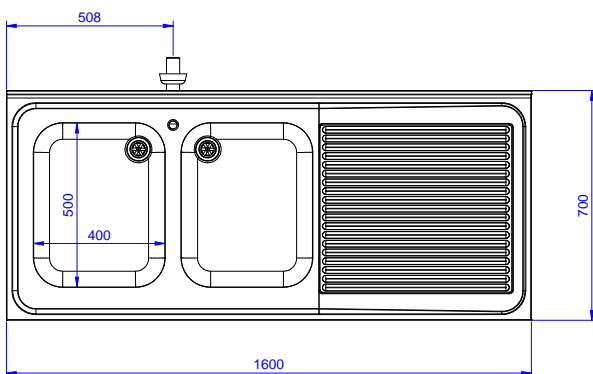


Side



D = Drain

Top


**Key Information:**

External dimensions, Width:	132936 (EDBD1617R)	1600 mm
External dimensions, Depth:		700 mm
External dimensions, Height:		900 mm
Upstand Dimensions, Height:		100 mm
Upstand Dimensions, Depth:		13 mm
Upstand Dimensions, Radius:		R=10
Bowls number		2
Bowl dimensions		400X500XH250
Net weight:		70 kg